

Charcoal

Echo Pendant Bulb

Large | Black-Dipped | Satin Black Wood + Charcoal Felt

Product Cut Sheet: This sheet can be signed off for approval to begin production.

PROJECT	<input type="text"/>
LIGHT TYPE	<input type="text"/>
QUANTITY	<input type="text"/>



The "Hero Piece" of the collection, the Echo Pendant is designed for versatile use in a wide range of interior spaces. Available in a curated selection of sizes and colours, this fixture is suitable for residential, hospitality, or commercial applications.

Zero-plastic acoustic felt nested in CNC carved 3D grooves in a wood base create a subtle illusion from all angles, a reference to "Harmonic Serialism" —the concept behind the collection.

Product design at **aaline** is continuously refined to uphold the highest quality standards. We reserve the right to change specifications, contact us for the latest information.

PRODUCT CODE

EC-PN-BULB-CHARCOAL-L

SERIES	EC	Echo
MODEL	PN	Pendant
EDITION	BULB	Bulb
SIZE	L	Large 2'-11 1/2"
BULB TYPE	BD	G40 Black-Dipped LED Globe E26 Bulb Base 4-7/8" Diameter
DIMMING	020	TRIAC/ELV Based on bulb compatibility
SUPPLIED BULB OUTPUT	400LM	400 lm 4 W
COLOUR TEMP	27K	2700K
WOOD INSERT	EGW	Engineered Wood
WOOD FINISH	PFBK	Painted Finish Satin Black
FELT LAYERS	SN	Single Layer 5mm
ACOUSTIC FELT	F384	Charcoal
CANOPY COLOUR	BK	Black
CABLE COLOUR	B	Black
CABLE LENGTH	5	Maximum 5 Feet On-site adjustable
MOUNTING	JB	Junction Box Support
MANUFACTURED IN		Toronto, ON, Canada
WARRANTY		10 year life cycle support 5 year warranty on parts Reclamation program available

CERTIFICATIONS



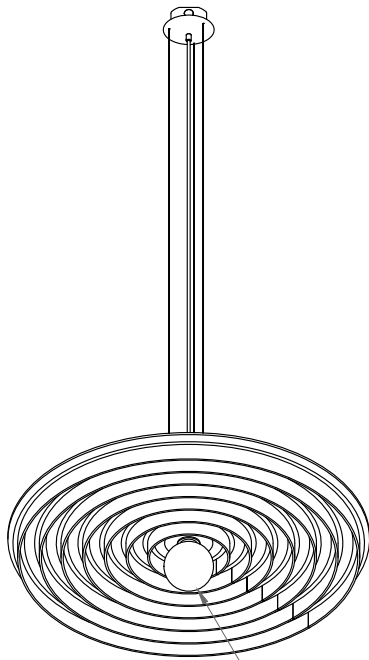
Echo Pendant

PROJECT	<input type="text"/>
LIGHT TYPE	<input type="text"/>
QUANTITY	<input type="text"/>

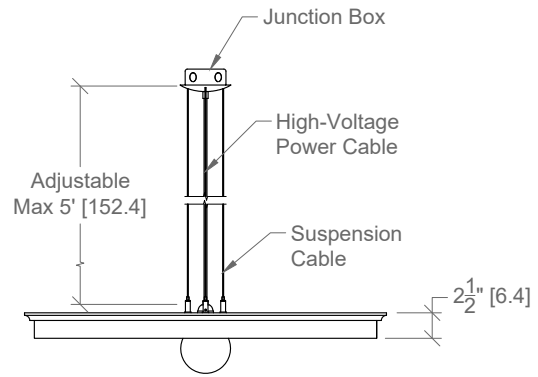
Bulb Model

Large | Standard Shop Drawing

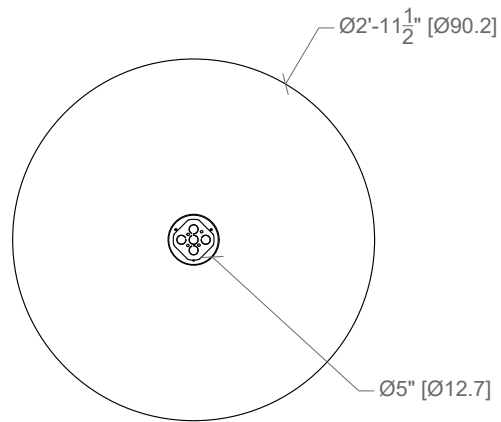
Product Cut Sheet: This sheet can be signed off for approval to begin production.



FRONT VIEW



TOP VIEW



- G40 Frosted Globe
- G40 Chrome-Dipped Globe
- G40 Black-Dipped Globe
- E26 Bulb Base

BOTTOM VIEW

