

Raw

Echo Pendant Bulb

Large | Chrome-Dipped | Engineered Wood + Raw White Felt

Product Cut Sheet: This sheet can be signed off for approval to begin production.

PROJECT	<input type="text"/>
LIGHT TYPE	<input type="text"/>
QUANTITY	<input type="text"/>



The "Hero Piece" of the collection, the Echo Pendant is designed for versatile use in a wide range of interior spaces. Available in a curated selection of sizes and colours, this fixture is suitable for residential, hospitality, or commercial applications.

Zero-plastic acoustic felt nested in CNC carved 3D grooves in a wood base create a subtle illusion from all angles, a reference to "Harmonic Serialism" —the concept behind the collection.

Product design at **aaline** is continuously refined to uphold the highest quality standards. We reserve the right to change specifications, contact us for the latest information.

PRODUCT CODE

EC-PN-BULB-RAW-L

SERIES	EC	Echo
MODEL	PN	Pendant
EDITION	BULB	Bulb
SIZE	L	Large 2'-11 1/2"
BULB TYPE	CD	G40 Chrome-Dipped LED Globe E26 Bulb Base 4-7/8" Diameter
DIMMING	020	TRIAC/ELV Based on bulb compatibility
SUPPLIED BULB OUTPUT	600LM	600 lm 7 W
COLOUR TEMP	27K	2700K
WOOD INSERT	EGW	Engineered Wood
WOOD FINISH	CFST	Clear Finish Satin Live edge visible
FELT LAYERS	SN	Single Layer 5mm
ACOUSTIC FELT	F312	Raw White
CANOPY COLOUR	WH	White
CABLE COLOUR	W	White
CABLE LENGTH	5	Maximum 5 Feet On-site adjustable
MOUNTING	JB	Junction Box Support
MANUFACTURED IN		Toronto, ON, Canada
WARRANTY		10 year life cycle support 5 year warranty on parts Reclamation program available

CERTIFICATIONS



Echo Pendant

PROJECT

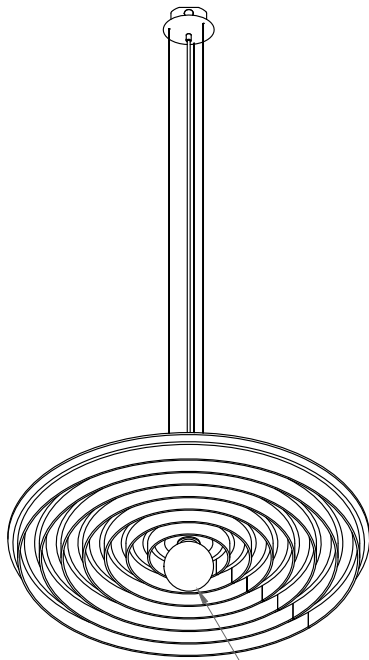
LIGHT TYPE

QUANTITY

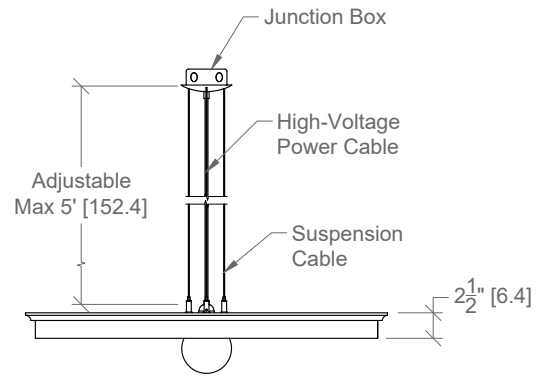
Bulb Model

Large | Standard Shop Drawing

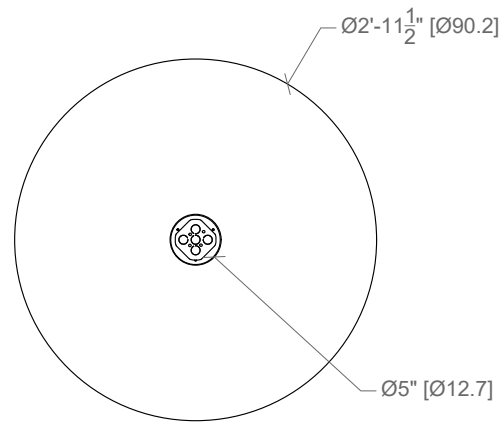
Product Cut Sheet: This sheet can be signed off for approval to begin production.



FRONT VIEW



TOP VIEW



G40 Frosted Globe
G40 Chrome-Dipped Globe
G40 Black-Dipped Globe
E26 Bulb Base

BOTTOM VIEW

