

Sky

Echo Pendant Bulb

Large | Frosted | Blue Wood + Sky Blue Felt

Product Cut Sheet: This sheet can be signed off for approval to begin production.

PROJECT	<input type="text"/>
LIGHT TYPE	<input type="text"/>
QUANTITY	<input type="text"/>



The "Hero Piece" of the collection, the Echo Pendant is designed for versatile use in a wide range of interior spaces. Available in a curated selection of sizes and colours, this fixture is suitable for residential, hospitality, or commercial applications.

Zero-plastic acoustic felt nested in CNC carved 3D grooves in a wood base create a subtle illusion from all angles, a reference to "Harmonic Serialism" —the concept behind the collection.

Product design at **aaline** is continuously refined to uphold the highest quality standards. We reserve the right to change specifications, contact us for the latest information.

PRODUCT CODE

EC-PN-BULB-SKY-L

SERIES	EC	Echo
MODEL	PN	Pendant
EDITION	BULB	Bulb
SIZE	L	Large 2'-11 1/2"
BULB TYPE	FR	G40 Frosted LED Globe E26 Bulb Base 4-7/8" Diameter
DIMMING	020	TRIAC/ELV Based on bulb compatibility
SUPPLIED BULB OUTPUT	600LM	600 lm 6 W
COLOUR TEMP	27K	2700K
WOOD INSERT	EGW	Engineered Wood
WOOD FINISH	PFBL	Blue
FELT LAYERS	SN	Single Layer 5mm
ACOUSTIC FELT	F261	Sky Blue
CANOPY COLOUR	WH	White
CABLE COLOUR	W	White
CABLE LENGTH	5	Maximum 5 Feet On-site adjustable
MOUNTING	JB	Junction Box Support
MANUFACTURED IN		Toronto, ON, Canada
WARRANTY		10 year life cycle support 5 year warranty on parts Reclamation program available

CERTIFICATIONS



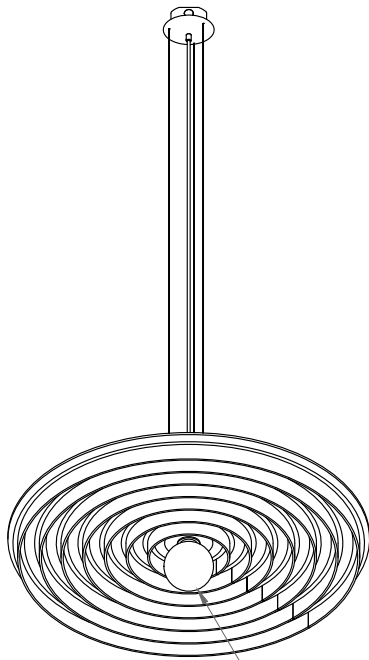
Echo Pendant

PROJECT	<input type="text"/>
LIGHT TYPE	<input type="text"/>
QUANTITY	<input type="text"/>

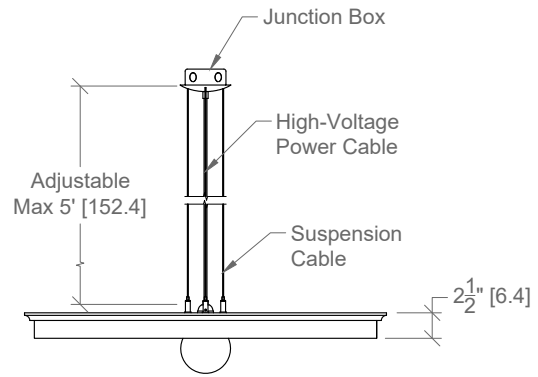
Bulb Model

Large | Standard Shop Drawing

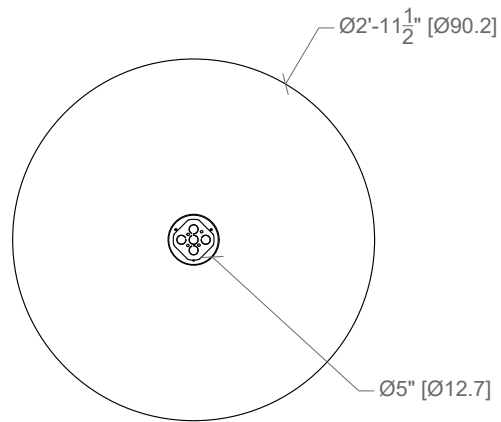
Product Cut Sheet: This sheet can be signed off for approval to begin production.



FRONT VIEW



TOP VIEW



- G40 Frosted Globe
- G40 Chrome-Dipped Globe
- G40 Black-Dipped Globe
- E26 Bulb Base

BOTTOM VIEW

